



techzone™

product family

TechZone available with Optima, Ultima, MetalWorks and WoodWorks panels

Organized. Simple. Clean.

- Cut the “clutter” – lighting, air diffusers and returns, sprinkler systems, etc. – that busies the ceiling plane. TechZone easily organizes these systems into 4", 6", or 12" wide technical zones.
- A range of compatible fixtures from our partner companies have been prequalified for fit and finish.
- The result – a clean, monolithic look using standard ceiling panels and suspension systems.

1 Optima 4' x 4' Tegular field panels, Optima Lay-in TechZone panels on Suprafine® XL® 9/16" suspension system.
Greenway Group, Atlanta, GA

2 TechZone with Optima 4' x 4' panels and MetalWorks 6" x 48" technical panels on Suprafine XL 9/16" suspension system.
American Society of Clinical Oncology, Alexandria, VA



TECHZONE™ Ceiling Systems

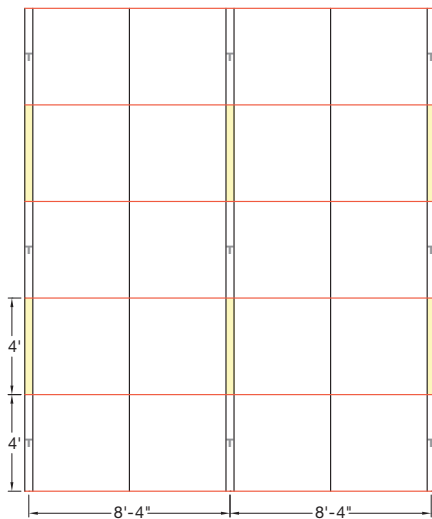
Easy Steps to Designing Your TechZone Ceiling



1. CHOOSE YOUR LAYOUT

Layouts are listed in the TechZone Technical Guide (BPCS-4486). Available online at armstrong.com/techzone

- Layout Number
- 6 Ceiling Module 4' On-Center Spacing 8'-4" Field Panel 48" x 48"



KEY: Main Runners Cross Tees Lights (Suggested location)

2. CHOOSE YOUR FIELD PANELS*

WOODWORKS®

Natural Variations™
(Real Wood Veneers)



Beech (NBE)



Maple (NMP)



Light Cherry (NLC)



Dark Cherry (NDC)



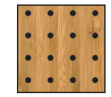
Patina (BAP)

Bamboo
(Rapidly Renewable)

Perforation Options
(1:2 scale shown)



Unperforated (W1)



Round Straight Rg 6006 (W2) (field panels only)

METALWORKS™



Whitelume (WHA)



Silverlume (SIA)



Gun Metal (MYA)



Unperforated (M1)



Pattern 2 Rd 1612 (M15) (field panels only)

OPTIMA® OR ULTIMA®



White



Create!™ colors or images (select 24" x 24" panels)

* Including finish, and perforation if applicable for your selected layout

TECHZONE™ Ceiling Systems

Easy Steps to Designing Your TechZone Ceiling

CEILING PANEL OPTIONS

Warm wood, cool metal, bright white – the choice is yours.

OPTIMA® or ULTIMA®

- Non-directional DuraBrite® surface for:
 - Excellent durability
 - Superior light reflectance to enhance daylighting and save energy
- Outstanding acoustical performance:
 - Reduces noise reverberation
 - Enhances speech privacy in open plan environments
 - 0.70 NRC Ultima
 - 0.90+ NRC Optima

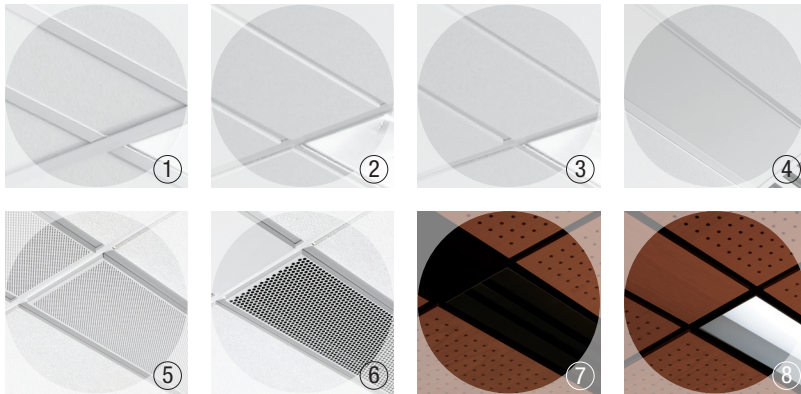
WOODWORKS®

- Warm, rich FSC®-certified wood in 5 standard finishes
- BioAcoustic™ infill panels enhance acoustics
- 0.40 NRC with W2 perforation and infill panel

METALWORKS™

- Three standard finishes for field and technical panels
- Fleece-backed perforated panels provide outstanding acoustics
 - 0.70 NRC standard
 - 0.90 NRC with infill panel
- Exceptionally durable
 - Washable
 - Scrubbable
 - Soil-resistant

EDGE DETAILS



1. Ultima and Optima Square Lay-in
2. Ultima Beveled Tegular
3. Optima Square Tegular
4. MetalWorks Unperforated Square Lay-in or Square Tegular
5. MetalWorks Microperforated Square Tegular
6. MetalWorks Air Return Perforated Square Lay-in or Square Tegular
7. MetalWorks Color Square Tegular
8. WoodWorks Square Tegular

VISUAL SELECTION

PERFORMANCE

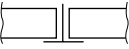


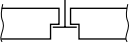
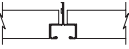
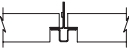

Dots represent high level of performance.

Description	Acoustics			Fire Rating	Light Reflect	Sag Resist	Durability					Recycled Content	Recycle Program	Warranty
	NRC	CAC	AC				Humi-Guard+	Wash	Scrub	Impact	Scratch			
Optima 1" thick panels	0.95 ●	N/A 26**	190	Class A	0.90 ●	●	●	–	●	●	●	71%	●	30
Optima 3/4" thick panels	0.90 ●	N/A	180	Class A	0.90 ●	●	●	–	●	●	●	71%	●	30
Ultima	0.70 ●	35	N/A	Class A	0.90 ●	●	●	–	●	●	●	Up to 80%	●	30
Ultima (items 1905, 1929)	0.70 ●	35	N/A	Class A	0.90 ●	Std	●	–	●	●	●	Up to 80%	●	1
WoodWorks Unperforated	N/A	38 ●	N/A	Class A	N/A	Std	–	–	–	–	–	92%	–	1
WoodWorks W2 Perforated with infill panel	0.40	28	N/A	Class A	N/A	Std	–	–	–	–	–	92%	–	1
MetalWorks Unperforated	0.40	28	N/A	Class A	0.89 ●	●	●	●	●	–	●	25%	–	1
MetalWorks M15 Perforated	0.70 ●	38† ●	N/A	Class A	0.77* ●	●	●	●	●	–	●	25%	–	1
MetalWorks M15 Perforated with infill panel	0.90 ●	N/A	N/A	Class A	0.77* ●	●	●	●	●	–	●	25%	–	1

* Value for White finish
 † With Item #747 mineral fiber backing
 ** With CAC backing


TECHZONE™ Ceiling Systems

FIELD PANELS

Suspension Dimension	Edge Profile	Dimensions	Optima®	Ultima®	WoodWorks® Un-perforated*	WoodWorks Per-forated*	MetalWorks™ Unperforated*	MetalWorks Perforated*	
15/16"	Prelude® XL® Square Lay-In 	20" x 60"	3156†						
		24" x 24"	3152†/3152PB/ 3150**/3150PB**	1910† + Create!					
		24" x 48"	3153†/3153PB/ 3151**/3151PB**	1913†					
		24" x 60"	3164	1984					
		24" x 72"	3161***†	1980†					
		24" x 96"	3162***†						
		30" x 30"	3158†	1905†					
		30" x 60"	3157†						
		48" x 48"	3160†/3160PB						
		48" x 96"	3154						
15/16"	Prelude XL Square Tegular 	20" x 60"	3278†						
		24" x 24"	3250†/3250PB						
		24" x 48"	3252†/3252PB						
		24" x 72"	3281†						
		24" x 96"	3282†						
		30" x 30"	3258†						
		30" x 60"	3286†						
48" x 48"	3255†/3255PB								
15/16"	Prelude XL Beveled Tegular 	24" x 24"		1911†					
		24" x 48"		1914†					
		24" x 60"		1985					
		24" x 72"		1981†					
9/16"	Suprafine® XL Square Tegular 	12" x 48"	3290		6484W1 _ _ _	6484W2 _ _ _	6643M1 _ _ _	6643M15 _ _ _	
		20" x 54"	3276†						
		20" x 56"	3266†						
		20" x 60"	3277†						
		21" x 24"	3279†						
	Silhouette® XL Square Tegular 1/4" Reveal 	24" x 24"	3251†/3251PB			5406W1 _ _ _	5406W2 _ _ _	6641M1 _ _ _	6641M15 _ _ _
		24" x 42"	3280†			6510W1 _ _ _	6510W2 _ _ _	6644M1 _ _ _	6644M15 _ _ _
		24" x 48"	3257†/3257PB			6486W1 _ _ _	6486W2 _ _ _	6642M1 _ _ _	6642M15 _ _ _
		24" x 60"	3265/3265PB						
		24" x 72"	3261/3261PB						
	Interlude® XL Square Tegular 	24" x 96"	3262/3262PB						
		27" x 30"	3283†			6512W1 _ _ _	6512W2 _ _ _	6645M1 _ _ _	6645M15 _ _ _
		28" x 30"	3268†						
		28" x 60"	3269†						
		30" x 30"	3259†			6511W1 _ _ _	6511W2 _ _ _	6646M1 _ _ _	6646M15 _ _ _
		30" x 54"	3284†						
		30" x 56"	3289†						
		30" x 60"	3285†						
		42" x 48"	3287†						
		44" x 48"	3288†						
48" x 48"	3256†/3256PB								
48" x 54"	3249†								
9/16"	Suprafine XL Beveled Tegular 	12" x 48"		1996					
		24" x 24"		1912† + Create!					
		24" x 48"		1915†					
		24" x 60"		1986					
		24" x 72"		1982†					
		30" x 30"		1905†					
30" x 54"		1929							

* Add 3-letter color suffix to item number when specifying or ordering (e.g. 6484W1 **N M P**) WoodWorks Field Panel Color Choices: Beech (NBE), Maple (NMP), Light Cherry (NLC), Dark Cherry (NDC), Bamboo Patina (BAP); MetalWorks Field Panel Color Choices: Whitelume (WHA), Silverlume (SIA), Gun Metal (MYA)

** These panels are 3/4" thick.

† Environmental Product Declaration 

TECHZONE™ Ceiling Systems

3. CHOOSE YOUR TECHNICAL PANELS*

WOODWORKS®

Natural Variations™
(Real Wood Veneers)

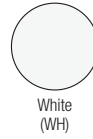


Bamboo
(Rapidly Renewable)

Perforation Options

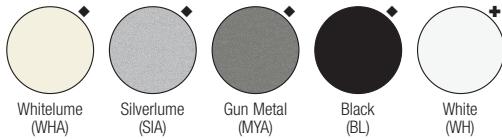


OPTIMA® OR ULTIMA®



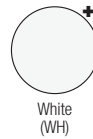
METALWORKS™

◆ Pre-coated Aluminum + Powder-coated Steel



PERFORATED METALWORKS

Perforation Options (Scale 1:2)



* Including finish, and perforation if applicable for your selected layout

TECHNICAL PANELS

Suspension Dimension	Edge Profile	Dimensions	Item Numbers					WoodWorks® Unperforated*	MetalWorks™ Unperforated*
			Optima®	Ultima®	White Unperforated Metal	White Micro-Perforated Metal	White Air Return Perforated Metal		
15/16"	Prelude® XL® Square Lay-In	6" x 48"	1400†	1420	1650	1610	1640		
		6" x 60"	1404†		1651	1611	1641		
15/16"	Prelude XL Square Tegular	6" x 48"	1402†		1654	1614	1644		
		6" x 60"	1406†		1655	1615	1645		
		12" x 24"	3264						
15/16"	Prelude XL Beveled Tegular	6" x 48"		1422					
		12" x 24"		1917					
9/16"	Prelude XL Square Lay-In	6" x 48"	1401†	1420	1652	1612	1642		
		6" x 60"	1405†	1425	1653	1613	1643		
9/16"	Suprafine® XL Square Tegular	4" x 48"	1410						
		4" x 60"	1411						
		6" x 6"	1412					6519W1 _ _ _	6647M1 _ _ _
		6" x 12"	1413†						6648M1 _ _ _
		6" x 42"	1415†						
		6" x 48"	1403†		1656	1616	1646	6513W1 _ _ _	6649M1 _ _ _
		6" x 54"	1417†						
		6" x 60"	1407†		1657	1617	1647	6514W1 _ _ _	6650M1 _ _ _
		6" x 96"	1409						
		12" x 24"	3261						
9/16"	Suprafine XL Beveled Tegular	6" x 48"		1423					
		6" x 60"		1427					
		12" x 24"		1916					

* Add 3-letter color suffix to item number when specifying or ordering (e.g. 6519W1 N M P) WoodWorks Technical Panel Color Choices: Beech (NBE), Maple (NMP), Light Cherry (NLC), Dark Cherry (NDC), Bamboo Patina (BAP); MetalWorks Technical Panel Color Choices: Whitelume (WHA), Silverlume (SIA), Gun Metal (MYA), White (WH), and Black (BL)

TECHZONE™ Ceiling Systems

4. CHOOSE A COMPATIBLE SUSPENSION SYSTEM

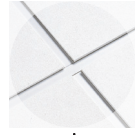
Item No.	Description
Prelude XL - 15/16"	
7300	144" ID Prelude XL Main Beam
7301	144" HD Prelude XL Main Beam
7306	132" HD Prelude XL Main Beam
XL7328	24" Prelude XL Cross Tee
XL7378	30" Prelude XL Cross Tee
XL7340	48" Prelude XL ID Cross Tee
XL7341	48" Prelude XL HD Cross Tee
XL7358	60" Prelude XL Cross Tee
XL7390	72" Prelude XL Cross Tee
XL7380	96" Prelude XL Cross Tee



PRELUDE®
15/16" Square Lay-in



PRELUDE
15/16" Beveled Tegular



PRELUDE
15/16" Square Tegular

Item No.	Description
Suprafine XL - 9/16"	
7500	144" ID Suprafine XL Main Beam
7501	144" HD Suprafine XL Main Beam
7504	120" HD Suprafine XL Main Beam
7505	100" HD Suprafine XL Main Beam
7507	144" HD Suprafine XL Main Beam
7508	132" HD Suprafine XL Main Beam
7512	120" HD Suprafine XL Main Beam
7588	88" Suprafine XL HD Main Beam
XL7506	6" Suprafine XL Cross Tee
XL7510	12" Suprafine XL Cross Tee
XL7561	21" Suprafine XL Cross Tee
XL7520	24" Suprafine XL Cross Tee
XL7567	27" Suprafine XL Cross Tee
XL7528	28" Suprafine XL Cross Tee
XL7570	30" Suprafine XL Cross Tee
XL7562	42" Suprafine XL Cross Tee
XL7540	48" Suprafine XL ID Cross Tee
XL7549	48" Suprafine XL HD Cross Tee
XL7564	54" Suprafine XL Cross Tee
XL7556	56" Suprafine XL Cross Tee
XL7558	60" Suprafine XL Cross Tee
XL7568	66" Suprafine XL Cross Tee
XL7590	72" Suprafine XL Cross Tee
XL7580	96" Suprafine XL Cross Tee



SUPRAFINE XL
9/16" Square Lay-in

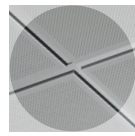


SUPRAFINE® XL®
9/16" Beveled Tegular



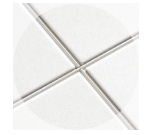
SUPRAFINE XL
9/16" Square Tegular

Suprafine XL - Colors - 9/16"♦	
TZ7501	120" HD Suprafine Main Beam
TZ7504	144" HD Suprafine Main Beam*
TZXL7506	6" Suprafine XL Cross Tee
TZXL7510	12" Suprafine XL Cross Tee
TZXL7520	24" Suprafine XL Cross Tee
TZXL7567	27" Suprafine XL Cross Tee
TZXL7570	30" Suprafine XL Cross Tee
TZXL7562	42" Suprafine XL Cross Tee
TZXL7541	48" Suprafine XL Cross Tee
TZXL7564	54" Suprafine XL Cross Tee
TZXL7556	56" Suprafine XL Cross Tee
TZXL7558	60" Suprafine XL Cross Tee
TZXL7568	66" Suprafine XL Cross Tee

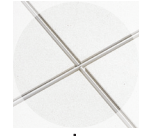


SUPRAFINE XL
9/16" Metal
Square Tegular

Item No.	Description
Interlude XL - 9/16"	
6100	144" ID Interlude XL Main Beam
6101	144" HD Interlude XL Main Beam
6121	144" ID Interlude XL Main Beam
6121A	144" HD Interlude XL Main Beam
6122	120" HD Interlude XL Main Beam
6123	88" HD Interlude XL Main Beam
6127	120" HD Interlude XL Main Beam
6132	132" HD Interlude XL Main Beam
6187	100" HD Interlude XL Main Beam
XL6106	6" Interlude XL Cross Tee
XL6110	12" Interlude XL Cross Tee
XL6161	21" Interlude XL Cross Tee
XL6120	24" Interlude XL Cross Tee
XL6167	27" Interlude XL Cross Tee
XL6128	28" Interlude XL Cross Tee
XL6170	30" Interlude XL Cross Tee
XL6162	42" Interlude XL Cross Tee
XL6140	48" Interlude XL Cross Tee
XL6164	54" Interlude XL Cross Tee
XL6156	56" Interlude XL Cross Tee
XL6150	60" Interlude XL Cross Tee
XL6168	66" Interlude XL Cross Tee
XL6190	72" Interlude XL Cross Tee
XL6180	96" Interlude XL Cross Tee

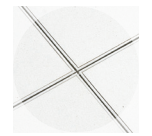


INTERLUDE® XL
9/16" Beveled Tegular

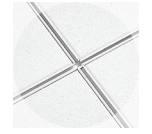


INTERLUDE XL
9/16" Square Tegular

Item No.	Description
Silhouette XL - 9/16"	
7611	144" HD Silhouette XL Main Beam
7613	108" HD Silhouette XL Main Beam
7619	78" Silhouette XL Main Beam
7621	132" HD Silhouette XL Main Beam
7622	102" HD Silhouette XL Main Beam
7626	120" HD Silhouette XL Main Beam
7637	96" HD Silhouette XL Main Beam
7638	126" HD Silhouette XL Main Beam
7639	126" HD Silhouette XL Main Beam
XL7621	21" Silhouette XL Cross Tee
XL7620	27" Silhouette XL Cross Tee
XL7652	27" Silhouette XL Cross Tee
XL7670	30" Silhouette XL Cross Tee
XL7640	48" Silhouette XL Cross Tee
XL7645	48" Silhouette XL Cross Tee – center notched both sides
XL7646	48" Silhouette XL Cross Tee – center notched one side
XL7652	54" Silhouette XL Cross Tee
XL7651	60" Silhouette XL Cross Tee – notched one side at 20" and 40"
XL7654	60" Silhouette XL Cross Tee – notched both sides at 20" and 40"
XL7655	60" Silhouette XL Cross Tee – center notched both sides
XL7656	60" Silhouette XL Cross Tee – center notched one side
XL7690	72" Silhouette XL Cross Tee
XL7680	96" Silhouette XL Cross Tee



SILHOUETTE® XL
9/16" Beveled Tegular
(1/8" reveal)



SILHOUETTE XL
9/16" Square Tegular
(1/4" reveal)

Accessories	
TXYK	TechZone Yoke
TZBC	TechZone Bracing Clip
STAC	Single Tee Attachment Clip
XTAC	Cross Tee Attachment Clip
AXTBC	Axiom T-Bar Connector Clip
7891	12 Gauge Hanger Wire

♦ Add 2-letter color suffix to item number when specifying or ordering (e.g. 7500 M Y)

MY = Gun Metal
SG = Silver Grey
BL = Black
If no color is indicated, item is White

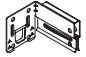
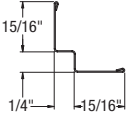
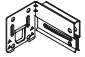
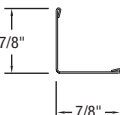
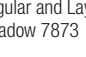
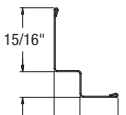
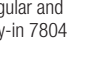
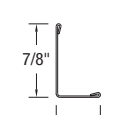
* Routes 6" OC

TECHZONE™ Ceiling Systems

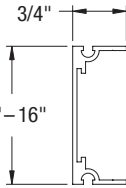
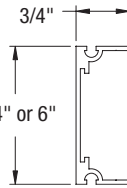
5. CHOOSE YOUR PERIMETER TREATMENT, MOLDINGS AND ACCESSORIES

- a. Wall to Wall installations
- b. Cloud/Floating installations
- c. Elevation or material transitions in the ceiling plane

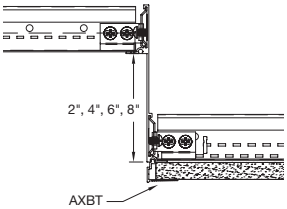
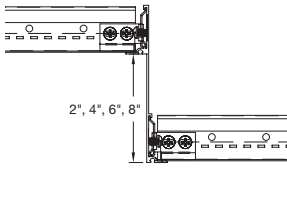
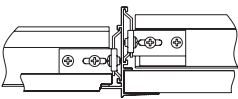
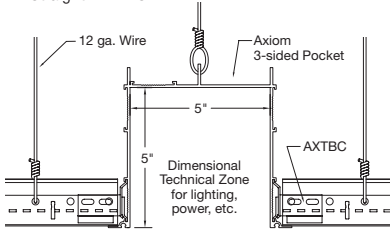
SELECT PERIMETER ANGLE AT WALL

<input type="checkbox"/> Tegular and Lay-in Seismic Shadow 7877 & BERC2  	<input type="checkbox"/> Tegular and Lay-in Seismic 7800 & BERC2  
<input type="checkbox"/> Tegular and Lay-in Shadow 7873  	<input type="checkbox"/> Tegular and Lay-in 7804  

SELECT PERIMETER TRIM AT FLOATING EDGE

<input type="checkbox"/> Axiom® – Classic – straight or curved 	<input type="checkbox"/> WoodWorks® Trim (with aluminum substrate) – straight or curved 
------------------------------------------------------------------------------------------------------------------------------------------------------	--------------------------------------------------------------------------------------------------------------------------------------------------------------------------------

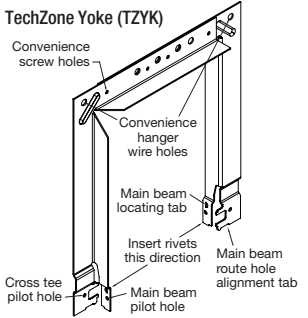
SELECT TRANSITION COMPONENTS

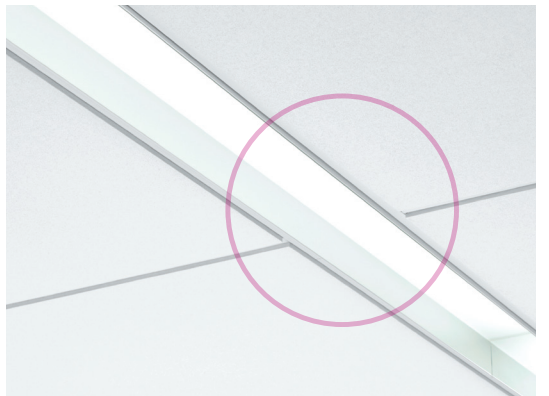
 <p>2", 4", 6", 8"</p> <p>AXBT</p> <p>Axiom Transitions Acoustical Ceiling to Drywall Elevation Changes</p> <input type="checkbox"/> Curved AXTRXCUR <input type="checkbox"/> Straight AXTRXSTR	 <p>2", 4", 6", 8"</p> <p>Axiom Transitions Acoustical Ceiling to Acoustical Ceiling Elevation Changes</p> <input type="checkbox"/> Curved AXTRXCUR <input type="checkbox"/> Straight AXTRXSTR
 <p>Axiom Transitions Acoustical Ceiling to Drywall in Same Plane</p> <input type="checkbox"/> Curved AXTRTECUR <input type="checkbox"/> Straight AXTRTESTR	 <p>12 ga. Wire</p> <p>Axiom 3-sided Pocket</p> <p>5"</p> <p>5" Dimensional Technical Zone for lighting, power, etc.</p> <p>AXTBC</p> <p>Axiom Dimensional TechZone</p> <input type="checkbox"/> Straight AXP3552

TECHZONE YOKE ALLOWS TRUE CONTINUOUS LIGHT

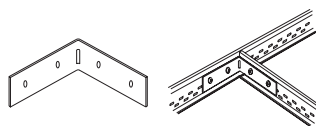
- Create a sleek ceiling design with uninterrupted ribbons of light
- Alternate continuous lights and diffusers with other services for a monolithic, uncluttered visual
- Easy installation
- Seismic tested

TechZone Yoke (TZYK)



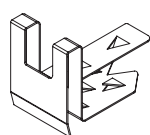


CROSS TEE ADAPTER CLIP



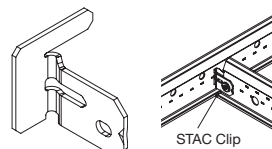
Cross Tee Adapter Clip (XTAC)
Used to attach field-cut cross tees to main beams.

STABILIZER CLIP



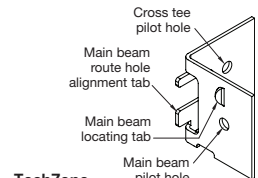
Stabilizer Clip, Item 435, for Optima®
Recommended for panels 5' and greater in length. Ordered separately.
Note: Panels 5' up to 8' – One clip installed near the midpoint of each long edge. Panels 8' – Two clips installed at one-third points of each long edge.

STAC CLIP



STAC Clip (STAC)
Single tee attachment clip for creating playful designs with off module lighting. Seismic tested.

BRACING CLIP



TechZone Bracing Clip (TZBC)
Use to connect cross tees to the main beam of the continuous technical zone when no yoke is present.